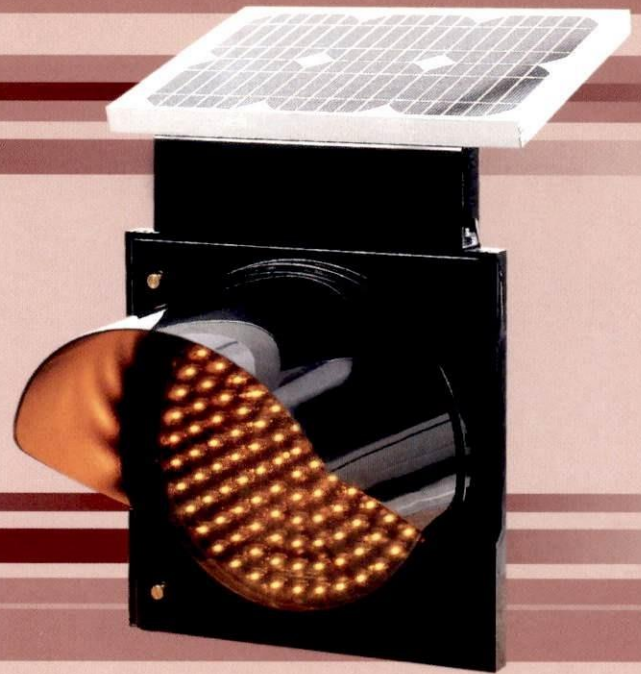
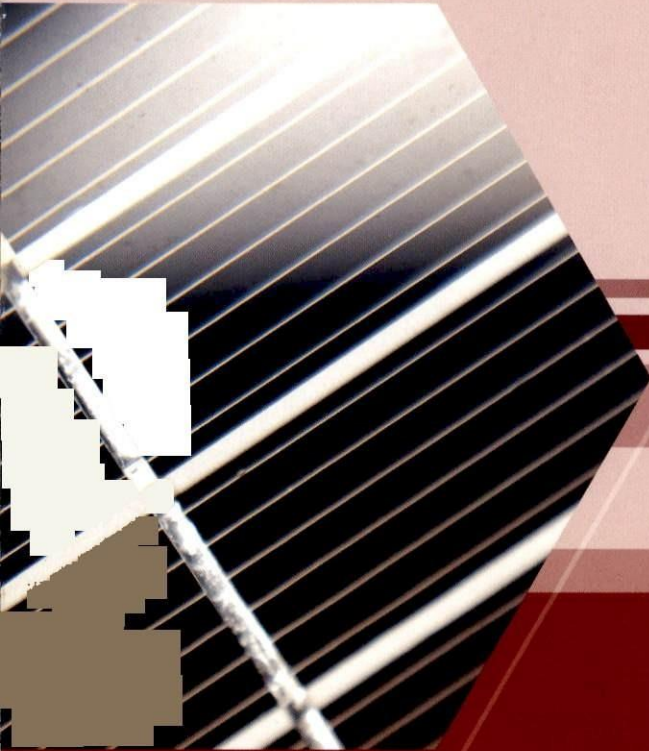


»» Solar Power  
Traffic Flashing Light



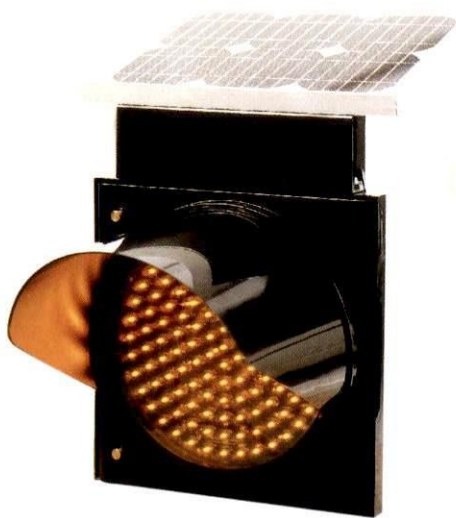
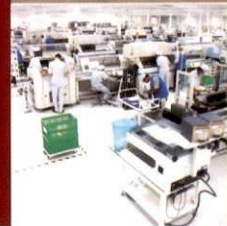
# Solar Power Flashing Light

Genius Traffic System Co., Ltd is a subsidiary of Genius Communication System Co., Ltd - Thai pioneer and leading manufacturer of office telephone system under the FORTH brand.

Our research team comprises of fully qualified and experienced engineers who aim to develop excellent traffic solutions for our transport systems.

Our production facilities employ the latest high-technology machinery and equipment to ensure high quality production. Coupled with a rigorous implementation of the ISO 9002 certified system, our products are proven to be reliable, user-friendly and robust. All FORTH products are registered under the Thai Industrial Standards Institute.

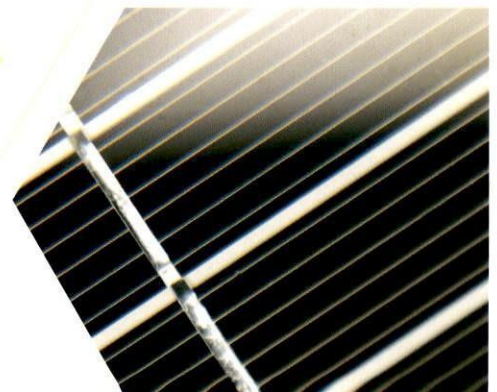
FORTH products are vigorously tested in the sun and rain to ensure they withstand the hot, humid and dusty environment of roads. They are also designed to withstand electrical current drops and overloads.



## A NEW STANDARD FOR TRAFFIC CONTROL

The FORTH Solar Power Traffic flashing light is designed for some locations or districts that have no or little access to reliable electricity source. The attached solar cells change sunlight into electrical energy which is kept in the form of a battery. The battery will then power the traffic light.

FORTH Solar traffic flashing light can be used as indicator at the dividing edge between normal and express lanes as well as pavement shoulders. It emits a flash warning light at night and create an attention focus for drowsy drivers. The Solar Traffic flashing light is an effective equipment to prevent vehicular collisions especially at night. The high efficiency of the solar panel used means that electric power is enough even on cloudy or rainy days. The quality LED used features lower power consumption, super high brightness, high temperature tolerance and longer lifespan.



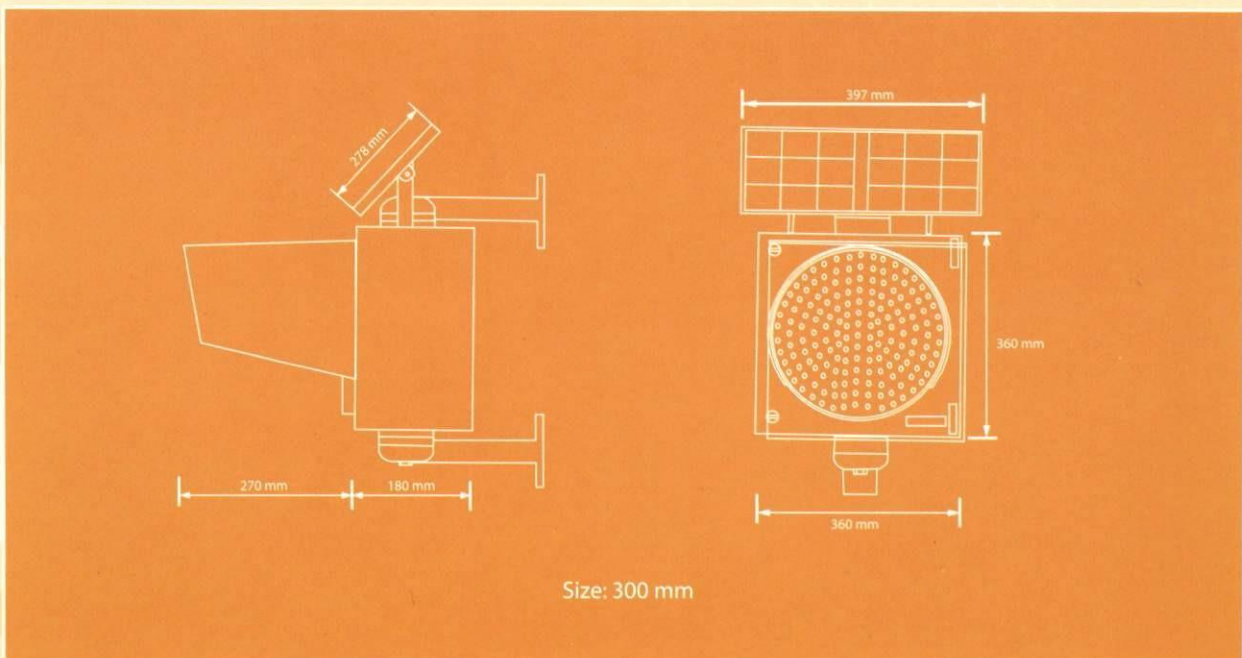
## FEATURE

1. Features energy-saving solar panels
2. LED lasts longer, exceeding 80,000 hours
3. All covers and housing made from polycarbonate plastic to protect against ultraviolet light.
4. Tolerates higher and lower working temperatures

## » SPECIFICATIONS

Battery	Type	Lead acid
	Voltage	12 Volt
	Power	12Ah
Solar cell	Type	Multicrystalline Silicon
	Voltage	16.8 Volt
	Power	10 Watt
Flashing rate	1	60 times/min
	2	50 times/min
	3	40 times/min
	4	30 times/min
Lamp size	300mm	127 LEDs
	210mm	84 LEDs
LED color	Red, Amber	

## » DIMENSIONS





**Genius Traffic System Co., Ltd**

226/4-5 Phaholyothin Road, Samsennai, Phayathai, Bangkok 10400.

Tel: +662 615 2440, Fax: +662 615 2441.

<http://www.gets.co.th>

**Distributor:**